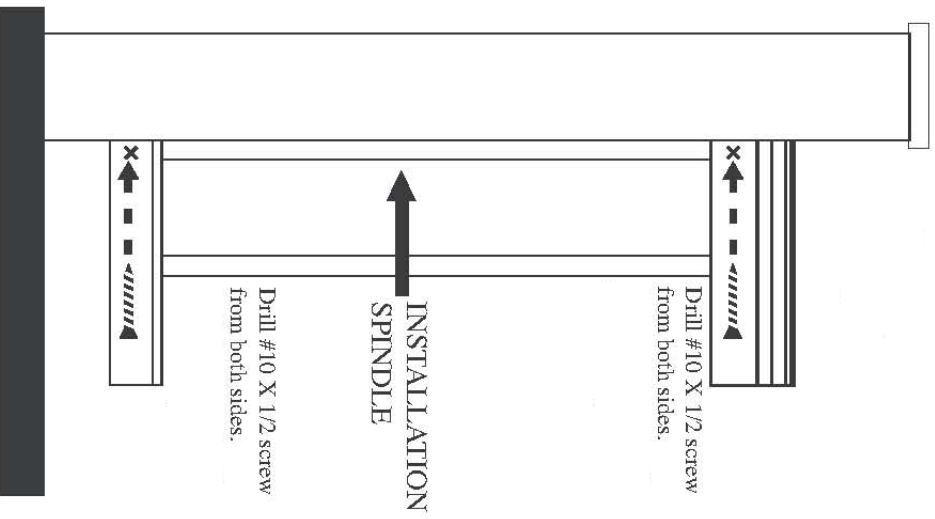


INSTALLATION OPTIONS

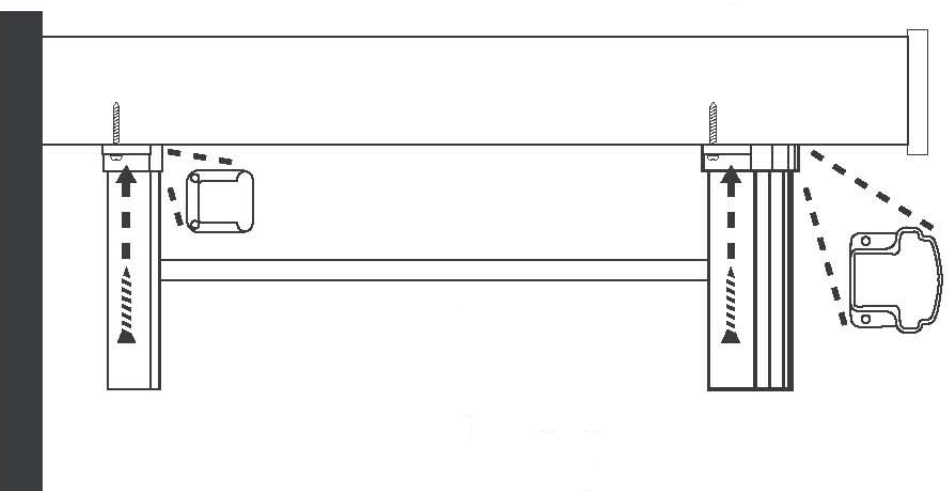
When using a swivel fitting it is usually necessary to cut the top and bottom cross bar in order to maintain less than 4" spacing between the post and the first spindle.

This spacing is necessary to maintain most code requirements.

INSTALLATION SPINDLE



WALL MOUNTED FITTING Summit Only



VERTICAL/HORIZONTAL SWIVEL FITTING

